

**40**mm sq.

# San Ace 40



## General Specifications

- Material ..... Frame: Plastics (Flammability: UL94V-0),  
Impeller: Plastics (Flammability: UL94V-0)
- Expected Life ..... Refer to specifications (L10: Survival rate: 90% at 60°C ,  
rated voltage, and continuously run in a free air state)
- Lead Wire ..... ⊕red ⊖black (Sensor) yellow (Control) brown  
(For models without PWM control function, there is no  
speed control wiring.)
- Storage Temperature ..... -30°C to +70°C (Non-condensing)

**40×40×15mm** (Mass : 28g) **9GA type** High Airflow Low Power Consumption Fan



## Specifications

The following nos. **have PWM controls, pulse sensors, and ribs.**

Model No.	Rated Voltage [V]	Operating Voltage Range [V]	PWM duty cycle <sup>Note①</sup> [%]	Rated Current [A]	Rated Input [W]	Rated Speed [min <sup>-1</sup> ]	Max. Airflow [m <sup>3</sup> /min] [CFM]	Max. Static Pressure [Pa] [inchH <sub>2</sub> O]	SPL [dB(A)]	Operating Temperature [°C]	Expected Life [h]
<b>9GA0412P7G001</b>	12	10.2 to 13.8	100	0.17	2.04	13,100	0.36 12.7	192 0.77	42	-20 to +70	40,000/60°C (70,000/40°C)

Note: Fan does not rotate when PWM duty cycle is 0%.

※PWM Frequency : 25kHz

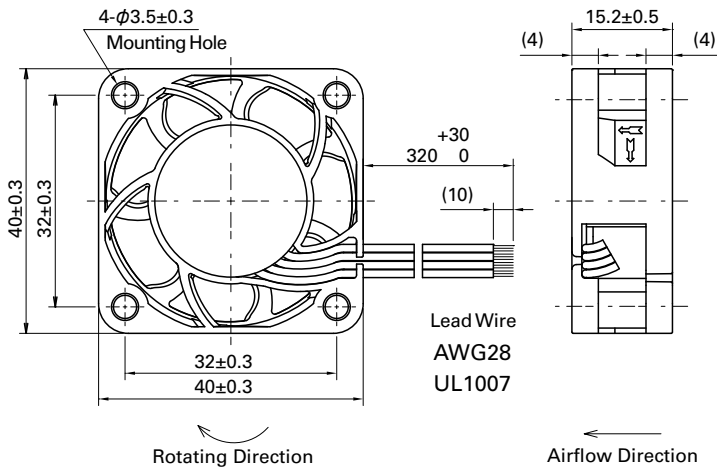
## The following nos. **have pulse sensors and ribs.**

Model No.	Rated Voltage [V]	Operating Voltage Range [V]	Rated Current [A]	Rated Input [W]	Rated Speed [min <sup>-1</sup> ]	Max. Airflow [m <sup>3</sup> /min] [CFM]	Max. Static Pressure [Pa] [inchH <sub>2</sub> O]	SPL [dB(A)]	Operating Temperature [°C]	Expected Life [h]
<b>9GA0412G7001</b>	12	7 to 13.8	0.17	2.04	13,100	0.36 12.7	192 0.77	42	-20 to +70	40,000/60°C (70,000/40°C)
<b>9GA0412H7001</b>			0.06	0.72	7,300	0.2 7.1	59.6 0.24	28		

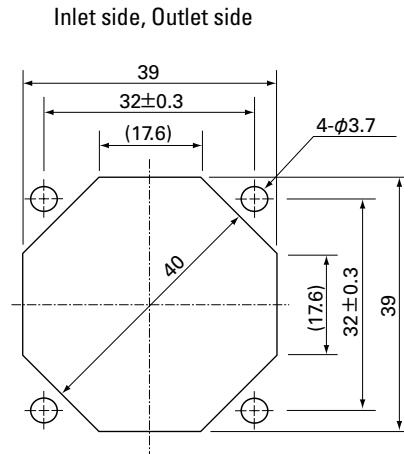
Other sensor specifications are available as options. Please refer to the index (p. 504).

## Dimensions (unit: mm)

(With PWM control function · With pulse sensor)



## Reference Dimensions of Mounting Holes and Vent Opening (unit: mm)

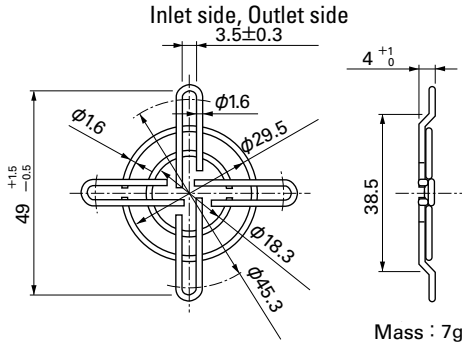


Options (unit: mm)

Finger Guards

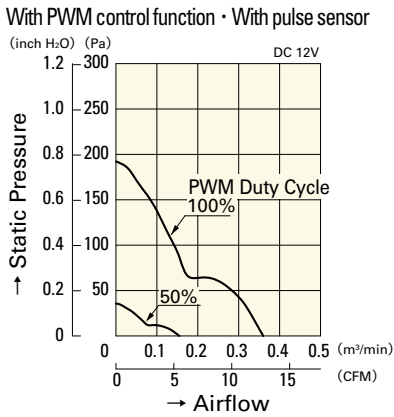
Model : 109-059 Surface treatment : Nickel-chrome plating (silver)  
 : 109-059H : Cation electropainting (black)

Color



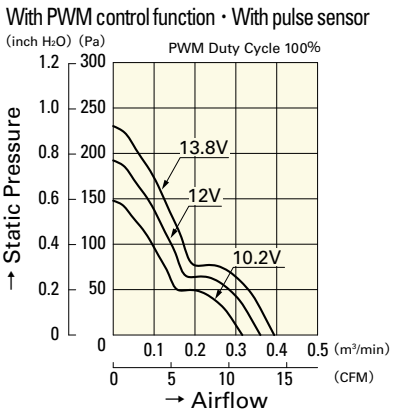
Airflow - Static Pressure Characteristics

PWM Duty Cycle

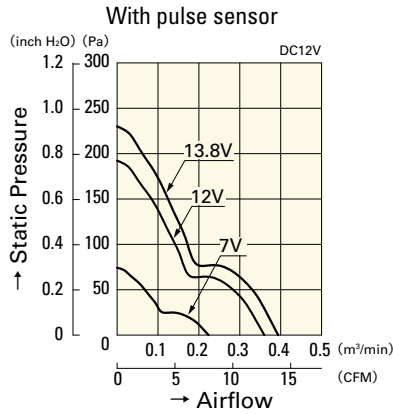


9GA0412P7G001

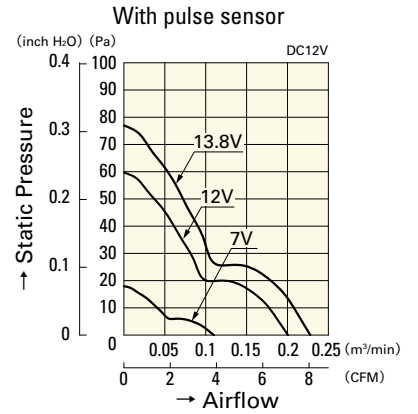
Operating Voltage Range



9GA0412P7G001

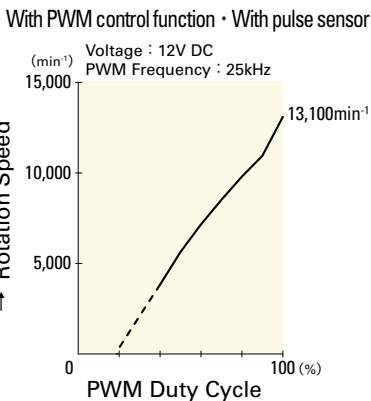


9GA0412G7001



9GA0412H7001

PWM Duty - Speed Characteristics Example



9GA0412P7G001