

THIS DRAWING IS UNPUBLISHED.

RELEASED FOR PUBLICATION

© COPYRIGHT -

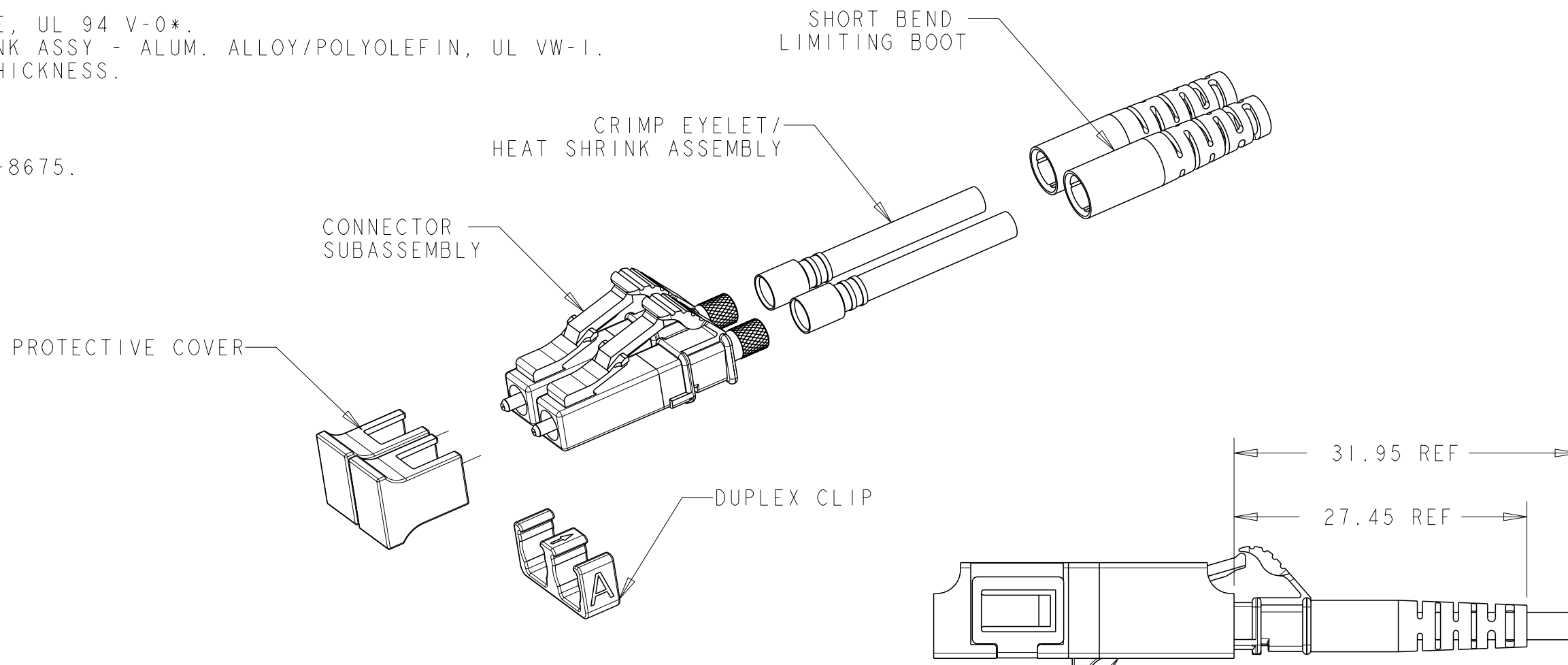
ALL RIGHTS RESERVED.

LOC	DIST	REVISIONS			
P	LTR	DESCRIPTION	DATE	DWN	APVD
HG	-	C	ECR-14-016330	11NOV2014	HZ RZ

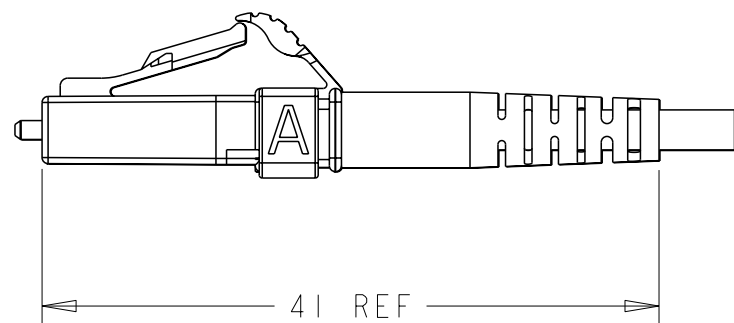
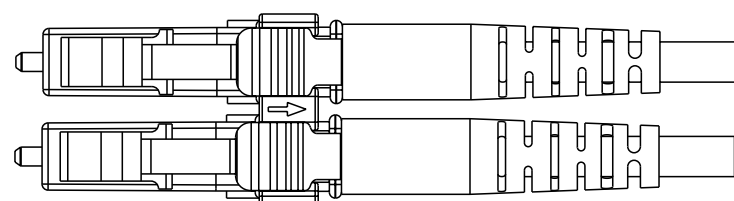
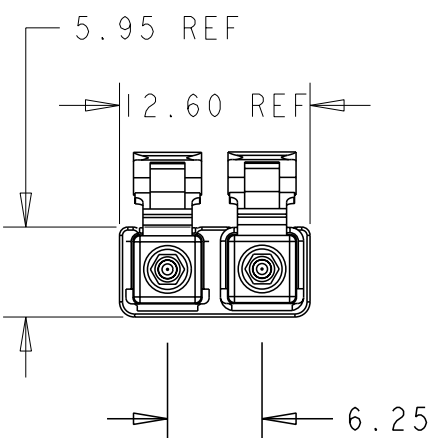
- 1 MATERIAL: PROTECTIVE COVER - TPE, COLOR: BLACK, UL 94 HB\*  
 FERRULE SUBASSEMBLY - ZIRCONIA/METAL.  
 COMPRESSION SPRING - STAINLESS STEEL.  
 HOUSING - PEI, COLOR: BEIGE, UL 94 V-0\*.  
 INNER TUBING - PTFE, COLOR: CLEAR, UL VW-1.  
 REAR BODY - METAL.  
 BOOT - PP, COLOR: BEIGE, UL 94 V-0\*.  
 CRIMP EYELET/HEAT SHRINK ASSY - ALUM. ALLOY/POLYOLEFIN, UL VW-1.  
 \* RATED AT QUALIFYING THICKNESS.

2 BULK PACKAGED.

3. INSTRUCTION SHEET: 408-8675.



1457567-4 ADAPTER REF.  
NOT INCLUDED IN KIT



2	1918404-2
	1918404-1
PART NUMBER	

THIS DRAWING IS A CONTROLLED DOCUMENT.		DWN B. BRIGGS 08FEB2008			NAME KIT, CONNECTOR, LC, SHORT BOOT, DUPLEX, MM, 1.6-2.0mm JACKET
DIMENSIONS: mm		CHK C. BENNETT 08FEB2008			
TOLERANCES UNLESS OTHERWISE SPECIFIED:		APVD S. BUCHTER 08FEB2008			
0 PLC ±- 1 PLC ±- 2 PLC ±- 3 PLC ±- 4 PLC ±- ANGLES ±-		PRODUCT SPEC -			
MATERIAL -		APPLICATION SPEC -		SIZE A3	CAGE CODE -
FINISH -		WEIGHT -		DRAWING NO C-1918404	
		CUSTOMER DRAWING		RESTRICTED TO -	SCALE 2:1
				SHEET 1 OF 1	REV C