

Features:

- ◇ Large 1", 3½ digit display for easy viewing.
- ◇ Decimal point user selectable
- ◇ Engineering units user selectable
- ◇ Non-backlit LCD or choice of AMBER, GREEN, RED or BLUE backlit LCD
- ◇ Wide ZERO (Offset) & SPAN (Gain) adjustment
- ◇ Standard 1/8 DIN package
- ◇ Snap-in panel mounting
- ◇ Gasket and clamp provided for NEMA 4, NEMA 12, & IP66 applications

Specifications:

Display:	Digits:	3 ½ digits (±1999 counts)
	Type:	1" (24.9 mm) 7 segment high contrast LCD
	Polarity:	automatic, "-" displayed
	Annunciators:	°F, °C, PSI, %, user selectable, V, A, KW, PF
Inputs:	Decimal Points:	3 position, user selectable
	Overrange:	three lower order digits blank for inputs >1999 & < -1999
	Voltage Ranges:	200 mV, 5 V, 10 V (809 Series)
	Current Range:	4 to 20mA (807 Series)
Performance:	Configuration:	single ended (809 Series)
	Impedance:	390KΩ (809 Series)
	Accuracy:	±(0.05% of full scale + 1 count)
	Conversion Rate:	3 per second
Adjustments:	Normal Mode Rejection:	>30 dB @ 60 Hz
	Warmup:	10 minutes typical
	Temperature Coefficient:	± 100 ppm per °C typical
	Offset Range:	-1999 to +1999
Environment:	Gain Range:	1 to 1999 (custom ranges available)
	Operating Range:	-10 to 50 °C
Power Supply:	Storage Range:	-40 to 75 °C
	Loop Powered:	300Ω nominal at 20 mA (807 series)
	Voltage Controlled:	10 mA at 12 V (9 to 16 V) or 24 V (16 to 32 V) (809 series)
Mounting:	Backlighting:	35 mA typical @ 24 VDC
	Connection:	snap-in panel mount or clamp and gasket (included)
Connection:		screw terminals

Ordering Information:

PART NUMBER BACKLIGHT COLOR METER INPUT METER POWER	.. BACKLIGHT POWER
DK807A*NO BACKLIGHT4-20mA mA loop NONE
DK757B* BLUE4-20mA mA loop 24VDC
DK857B* RED4-20mA mA loop 24VDC
DK947B* AMBER4-20mA mA loop 24VDC
DK957B* GREEN4-20mA mA loop 24VDC
DK809*NO BACKLIGHT Voltage 12/24VDC NONE
DK759* BLUE Voltage 12/24VDC 24VDC
DK859* RED Voltage 12/24VDC 24VDC
DK949* AMBER Voltage 12/24VDC 24VDC
DK959* GREEN Voltage 12/24VDC 24VDC

*Add (P) for Power Engineering Units V, A, KW, PF

PW2-12.....Regulated 120V AC to 12V DC Power Supply

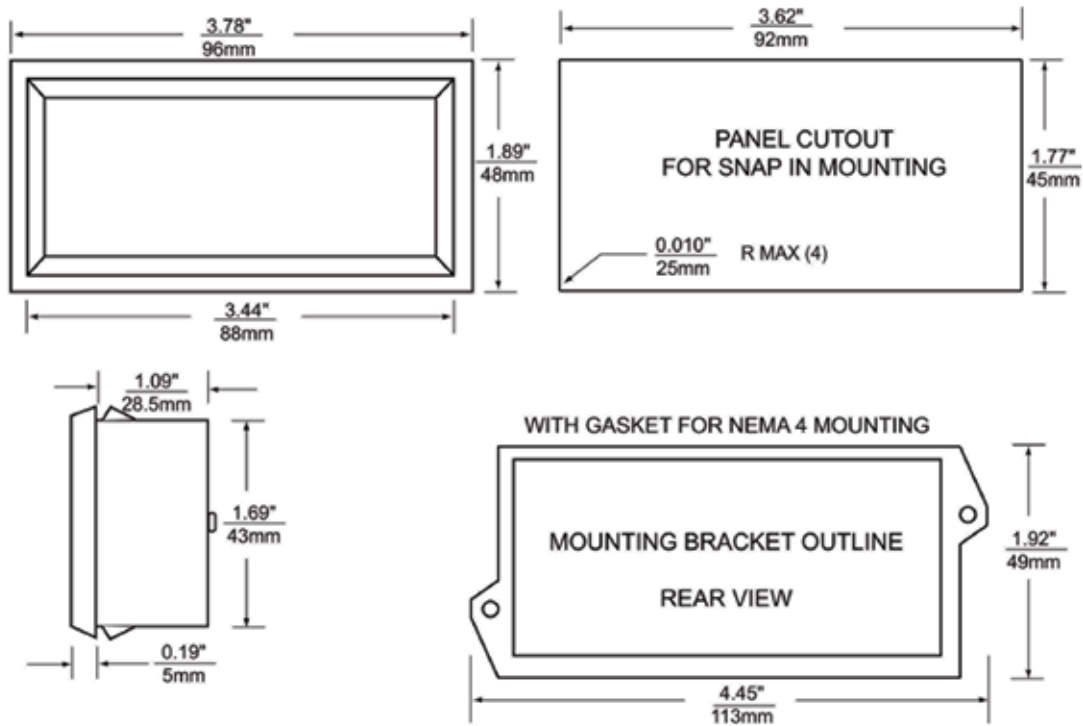
PW2-24.....Regulated 120V AC to 24V DC Power Supply

PW1.0..... 24V AC to adjustable DC output

CPW1.5..... 24V AC to adjustable DC output

CVC..... Calibrator

Dimensions



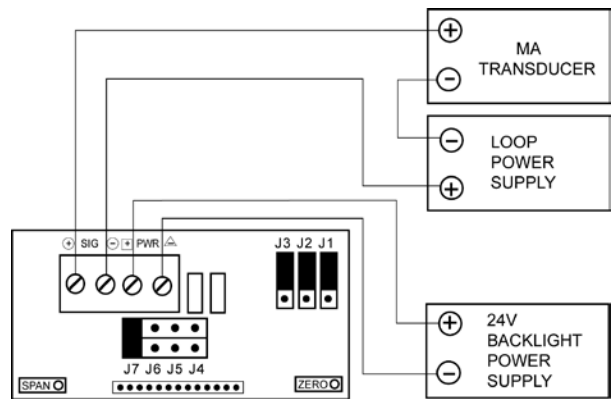
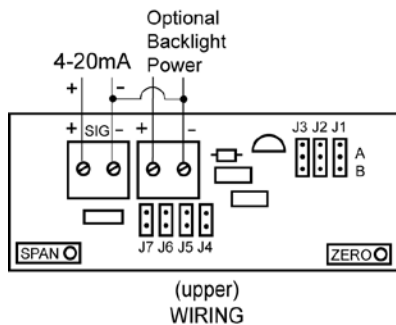
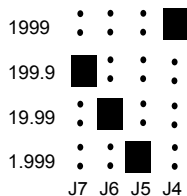
NOTES:

1. Panel thickness is: 0.032"/0.81mm to 0.25"/6.35mm
2. Gasket supplied is: 0.075"/1.9mm thick

Wiring

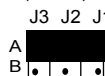
807 Series

1. DECIMAL SELECTION:

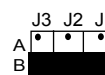


2. J1, J2, J3 SELECTION:

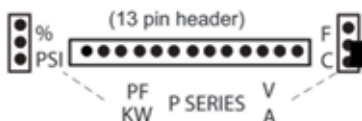
IF: OFFSET (ZERO) IS ≤ 0 or
 OFFSET (ZERO) > 0 and GAIN (SPAN) + OFFSET (ZERO) ≥ 5



IF: OFFSET (ZERO) > 0 and GAIN (SPAN) + OFFSET (ZERO) < 5



NOTE: If backlight supply is not loop supply, ground should be referenced together.



809 Series

