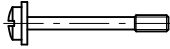
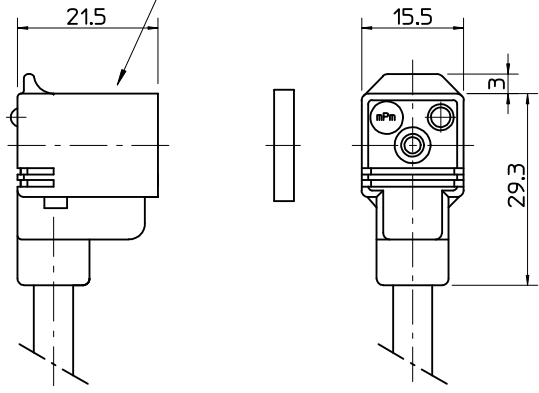


Screw and gasket, see sheet 2, PN Key



Face View See Insert Orientation

CIRCUIT PRINTOUT/WHITE



INSERT ORIENTATION

EARTH ON 6H & 12H E492XXXXXXXX1XXX	EARTH ON 12H E492XXXXXXXX2XXX	EARTH PIN ON 6H E492XXXXXXXX6XXX

WIRING CONFIGURATION

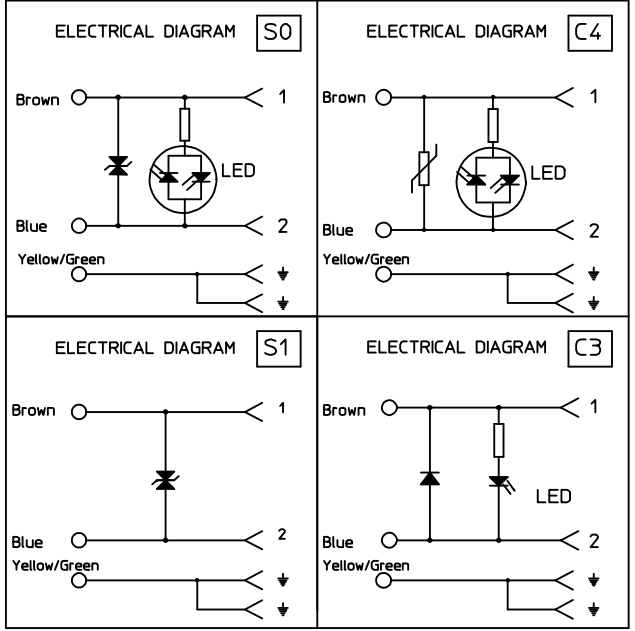


Table of length tolerances [mm]

Over	Up to and including	Tolerance (+)
0	1000	±20
1000	3000	±30
3000	5000	±40
5000	10000	±50
10000	15000	±100
15000	20000	±150
20000		±L/100

<p>ORIGINAL RELEASE EC NO: IPG2013-1504 DRWN: MDYSZEMSKA 2013/03/28 CHKD: JMARSZALEK 2013/03/28 APPR: MIWASIECZKO 2013/03/28</p>	<p>QUALITY SYMBOLS ▽=0 ▽=0</p>	<p>GENERAL TOLERANCES (UNLESS SPECIFIED)</p>		<p>DIMENSION STYLE MM ONLY</p>		<p>SCALE</p>	<p>DESIGN UNITS METRIC</p>	<p>FIRST ANGLE PROJECTION</p>																			
		<table border="1"> <thead> <tr> <th></th> <th>mm</th> <th>INCH</th> </tr> </thead> <tbody> <tr> <td>4 PLACES</td> <td>± ---</td> <td>± ---</td> </tr> <tr> <td>3 PLACES</td> <td>± ---</td> <td>± ---</td> </tr> <tr> <td>2 PLACES</td> <td>± ---</td> <td>± ---</td> </tr> <tr> <td>1 PLACE</td> <td>± ---</td> <td>± ---</td> </tr> <tr> <td>0 PLACE</td> <td>± ---</td> <td>± ---</td> </tr> </tbody> </table>			mm	INCH	4 PLACES	± ---	± ---	3 PLACES	± ---	± ---	2 PLACES	± ---	± ---	1 PLACE	± ---	± ---	0 PLACE	± ---	± ---	<p>DRAWN BY DATE JMARSZALEK 2012/10/30</p>		<p>TITLE E492XXXXXXXXXXXX FORM C EN 175301-803</p>			
			mm	INCH																							
		4 PLACES	± ---	± ---																							
		3 PLACES	± ---	± ---																							
2 PLACES	± ---	± ---																									
1 PLACE	± ---	± ---																									
0 PLACE	± ---	± ---																									
<p>ANGULAR ± --- °</p>		<p>CHECKED BY DATE MSZWAJKOWSKI 2012/10/31</p>		<p><b>molex</b></p>																							
<p>DRAFT WHERE APPLICABLE MUST REMAIN WITHIN DIMENSIONS</p>		<p>APPROVED BY DATE MIWASIECZKO 2012/11/09</p>		<p>MATERIAL NO.</p>		<p>DOCUMENT NO. SD-121050-002</p>		<p>SHEET NO. 1 OF 4</p>																			
		<p>SIZE A3</p>		<p>THIS DRAWING CONTAINS INFORMATION THAT IS PROPRIETARY TO MOLEX INCORPORATED AND SHOULD NOT BE USED WITHOUT WRITTEN PERMISSION</p>																							

10 9 8 7 6 5 4 3 2 1



E - Packing without bags  
 W - Single packing  
 Q - Quick packing

NUMBER OF WIRES:

- 1=2 WIRES
- 2=3 WIRES
- 3=4 WIRES
- 5=SMC COMPATIBLE 2 WIRES
- 6=SMC COMPATIBLE 3 WIRES
- 7=SMC COMPATIBLE 4 WIRES

CABLE TYPE  
 SEE TABLE 1

CABLE CROSS SECTION AREA  
 SEE TABLE 2

HEAD COLOUR:

- G=GREY;
- N=BLACK;
- T=TRANSPARENT;
- A=CSA-UL BLACK;
- B=CSA-UL GREY.

CABLE LENGTH IN CM

Eg.:050=50 CM, 300=300 CM, 10K=1000 CM.

EARTH PIN LOCATION:

- 1=DOUBLE EARTH ON 6H AND 12H,
- 2=EARTH ON 12H,
- 6=EARTH ON 6H.

TYPE OF GASKET AND SCREW:

- 1=NBR PROFILE GASKET+FIXING SCREWS (M2.5x22.5 mm).
- 2=NBR FLAT GASKET+SCREW (M2.5x22.5 mm).
- 3=SILICONE PROFILE GASKET+SCREW (M2.5x22.5 mm).
- 4=SILICON FLAT GASKET+SCREW (M2.5x22.5 mm).
- T=PROFILE GASKET+SCREW+GROMMET (M2.5x23 mm).

INTERNAL CIRCUIT

WIRING CONFIGURATION

VOLTAGE AND LED COLOUR:

- |         |         |         |
|---------|---------|---------|
| 1= 12V  | A= 12V  | G= 12V  |
| 2= 24V  | B= 24V  | H= 24V  |
| 3= 48V  | C= 48V  | K= 48V  |
| 4= 115V | D= 115V | L= 115V |
| 5= 230V | E= 230V | M= 230V |
- RED LED      GREEN LED      YELLOW LED

ORIGINAL RELEASE EC NO: IPG2013-1504 DRWN:MD/SZEWSKA 2013/03/28 CHKD:JMARSZALEK 2013/03/28 APPR:MIWASIECZKO 2013/03/28	REV DESCRIPTION	QUALITY SYMBOLS	GENERAL TOLERANCES (UNLESS SPECIFIED) <table border="1" style="font-size: small;"> <tr><th colspan="2">mm</th><th>INCH</th></tr> <tr><td>4 PLACES</td><td>± ---</td><td>± ---</td></tr> <tr><td>3 PLACES</td><td>± ---</td><td>± ---</td></tr> <tr><td>2 PLACES</td><td>± ---</td><td>± ---</td></tr> <tr><td>1 PLACE</td><td>± ---</td><td>± ---</td></tr> <tr><td>0 PLACE</td><td>± ---</td><td>± ---</td></tr> </table>	mm		INCH	4 PLACES	± ---	± ---	3 PLACES	± ---	± ---	2 PLACES	± ---	± ---	1 PLACE	± ---	± ---	0 PLACE	± ---	± ---	DIMENSION STYLE	SCALE	DESIGN UNITS	FIRST ANGLE PROJECTION 
		mm		INCH																					
		4 PLACES		± ---	± ---																				
		3 PLACES		± ---	± ---																				
2 PLACES	± ---	± ---																							
1 PLACE	± ---	± ---																							
0 PLACE	± ---	± ---																							
		MM ONLY	1:1	METRIC																					
		ANGULAR ± --- °	DRAWN BY: JMARSZALEK    DATE: 2012/10/30 CHECKED BY: MSZWAJKOWSKI    DATE: 2012/10/31 APPROVED BY: MIWASIECZKO    DATE: 2012/11/09																						
		DRAFT WHERE APPLICABLE MUST REMAIN WITHIN DIMENSIONS	MATERIAL NO.    DOCUMENT NO.    SHEET NO. MATRIX DRAWING    SD-121050-002    2 OF 4																						

E492XXXXXXXXXX  
 FORM C  
 EN 175301-803



9 8 7 6 5 4 3 2 1

TABLE 2 - CABLES

Mollex PN	mPm	Code	Wires	Cross Section	Material	Color	Diameter Ø	DIN A-B	DIN C
1210180080	I	0	3	1 mm2	PVC CEI 2022 II O.R.	Grey RAL7035	-	-	-
1210180467	A	2	2	20 AWG	PVC CSA/UL 2661	Black	5,5+/-0,2 mm	OK.	OK.
-	A	2	3	20 AWG	PVC CSA/UL 2661	Black	5,6+/-0,2 mm	OK.	OK.
1210180394	A	2	4	20 AWG	PVC CSA/UL 2661	Black	6,2+/-0,2 mm	OK.	OK.
-	A	2	5	20 AWG	PVC CSA/UL 2661	Black	7+/-0,2 mm	OK.	OK.
1210180297	B	2	2	20 AWG	PUR CSA/UL 20668	Black	5,5+/-0,2 mm	OK.	OK.
1210180126	B	2	3	20 AWG	PUR CSA/UL 20668	Black	5,6+/-0,2 mm	OK.	OK.
1210180387	B	2	4	20 AWG	PUR CSA/UL 20668	Black	6,2+/-0,2 mm	OK.	OK.
-	B	2	5	20 AWG	PUR CSA/UL 20668	Black	7+/-0,2 mm	OK.	OK.
1210180122	D	2	3	0,5 mm2	PVC TI2 CEI 20-20	Grey	-	-	-
-	F	2	3	0,5 mm2	CNOMO	Grey RAL7000	5,5+/-0,2 mm	OK.	OK.
1210180047	I	2	2	0,5 mm2	PVC CEI 2022 II O.R.	Grey RAL7035	5,5+/-0,2 mm	OK.	OK.
-	I	2	3	0,5 mm2	PVC CEI 2022 II O.R.	Grey RAL7035	5,6+/-0,2 mm	OK.	OK.
1210180146	I	2	4	0,5 mm2	PVC CEI 2022 II O.R.	Grey RAL7035	6,5+/-0,2 mm	OK.	OK.
1210180177	I	2	5	0,5 mm2	PVC CEI 2022 II O.R.	Grey RAL7035	7+/-0,2 mm	OK.	OK.
1210180022	N	2	2	0,5 mm2	PVCH03	Black	5,1+ 0,2-0 mm	OK.	OK.
1210180064	N	2	3	0,5 mm2	PVCH03	Black	5,4+ 0,2-0 mm	OK.	OK.
1210180153	N	2	4	0,5 mm2	PVCH03	Black	5,75+0,2-0 mm	OK.	OK.
1210180046	P	2	2	0,5 mm2	PUR - BLEND	Black	5,5+/-0,2 mm	OK.	OK.
-	P	2	3	0,5 mm2	PUR - BLEND	Black	5,6+/-0,2 mm	OK.	OK.
1210180302	P	2	4	0,5 mm2	PUR - BLEND	Black	-	-	-
-	P	2	5	0,5 mm2	PUR - BLEND	Black	7+/-0,2 mm	OK.	OK.
1210180409	A	3	2	18 AWG	PVC CSA/UL 2661	Black	6,5+/-0,2 mm	OK.	OK.
1210180129	A	3	3	18 AWG	PVC CSA/UL 2661	Black	6,5+/-0,2 mm	OK.	OK.
1210180159	A	3	4	18 AWG	PVC CSA/UL 2661	Black	7+/-0,2 mm	OK.	OK.
-	A	3	5	18 AWG	PVC CSA/UL 2661	Black	7,8+/-0,2 mm	OK.	OK.
1210180351	B	3	2	18 AWG	PUR CSA/UL 20668	Black	6,5+/-0,2 mm	OK.	OK.
1210180127	B	3	3	18 AWG	PUR CSA/UL 20668	Black	6,5+/-0,2 mm	OK.	OK.
1210180127	B	3	4	18 AWG	PUR CSA/UL 20668	Black	7+/-0,2 mm	OK.	OK.
-	B	3	5	18 AWG	PUR CSA/UL 20668	Black	7,8+/-0,2 mm	OK.	OK.
1210180073	D	3	3	0,75 mm2	PVC TI2 CEI 20-20	Grey	-	-	-
1210180145	D	3	4	0,75 mm2	PVC TI2 CEI 20-20	Grey	-	-	-
1210180120	I	3	3	0,75 mm2	PVC CEI 2022 II O.R.	Grey RAL7035	-	-	-
1210180143	I	3	4	0,75 mm2	PVC CEI 2022 II O.R.	Grey RAL7035	-	-	-
1210180032	N	3	2	0,75 mm2	PVCH05	Black	6,2+ 0,2-0 mm	OK.	OK.
1210180069	N	3	3	0,75 mm2	PVCH05	Black	6,6+0,2-0 mm	OK.	OK.
-	N	3	4	0,75 mm2	PVCH05	Black	7,15+0,2-0 mm	OK.	OK.
1210180174	N	3	5	0,75 mm2	PVCH05	Black	8,0+0,2-0 mm	OK.	OK.
-	P	3	2	0,75 mm2	PUR - BLEND	Black	6,5+/-0,2 mm	OK.	OK.

TABLE 2 - CABLES

Mollex PN	mPm	Code	Wires	Cross Section	Material	Color	Diameter Ø	DIN A-B	DIN C
1210180071	P	3	3	0,75 mm2	PUR - BLEND	Black	6,5+/-0,2 mm	OK.	OK.
1210180152	P	3	4	0,75 mm2	PUR - BLEND	Black	7+/-0,2 mm	OK.	OK.
1210180084	R	3	3	0,75 mm2	TPR HAL. FREE	Black	6,5+/-0,2 mm	OK.	OK.
1210180094	T	3	3	0,75 mm2	PUR CSA/UL	Yellow	-	-	-
1210180099	Y	3	3	0,75 mm2	SIL/0300	Red	6,5+/-0,2 mm	-	-
1210180081	F	4	3	1 mm2	CNOMO	Grey RAL7000	-	-	-
-	F	4	4	1 mm2	CNOMO	Grey RAL7000	7,1+0,2-0 mm	OK.	OK.
1210180042	I	4	2	1 mm2	PVC CEI 2022 II O.R.	Grey RAL7035	7,1+0,2-0 mm	OK.	OK.
1210180079	I	4	3	1 mm2	PVC CEI 2022 II O.R.	Grey RAL7035	7,1+0,2-0 mm	OK.	OK.
1210180036	N	4	2	1 mm2	PVCH05	Black	6,5+0,2-0 mm	OK.	OK.
1210180082	N	4	3	1 mm2	PVCH05	Black	6,9+0,2-0 mm	OK.	OK.
1210180117	R	4	3	1 mm2	TPR HAL. FREE	Black	-	-	-
1210180085	N	5	3	1,5 mm2	PVCH05	Black	8,3+0,2-0 mm	OK.	OK.
1210180313	I	6	2	0,35 mm2	PVC CEI 2022 II O.R.	Grey RAL7035	-	-	-
-	A	7	3	20 AWG	PVC CSA/UL 2661	Yellow	5,6+/-0,2 mm	OK.	OK.
1210180149	I	9	4	0,75 mm2	PVC CEI 2022 II O.R.	Grey RAL7035	-	-	-

TABLE 1 - CABLES TYPE

Code	Cable types	Features	Stranding
N	PVC	Application general purpose cable which has good resistance to water, but usually poor oil resistance.	0,5 mm2 = 15 x 0,20 0,75 mm2 = 21 x 0,20 1 mm2 = 28 x 0,20
I	CEI	Approved to IEC 332-2A, flame retardant and self extinguishing. Limited resistant to mineral oils.	0,5 mm2 = 28 x 0,15 0,75 mm2 = 42 x 0,15 1 mm2 = 32 x 0,20
P	PUR	Offer good resistance to oil and chemicals. Can swell when constantly immersed in water.	0,5 mm2 = 28 x 0,15 0,75 mm2 = 42 x 0,15 1 mm2 = 32 x 0,20
A	PVC CSA-UL	Approved to CSA-UL 2661, application general purpose cable which has good resistance to water, but usually poor oil resistance.	20 AWG = 32 x 0,15 18 AWG = 52 x 0,15
B	PUR CSA-UL	Approved to CSA-UL 20668, very good resistance to oil and chemicals.	20 AWG = 32 x 0,15 18 AWG = 52 x 0,15

ORIGINAL RELEASE EC NO: IPG2013-1504 DRWIN:MD/SZEMSKA 2013/03/28 CHKD: JMARSZALEK 2013/03/28 APPR:MIWASIECZKO 2013/03/28	QUALITY SYMBOLS ▽=0 ◁=0	GENERAL TOLERANCES (UNLESS SPECIFIED)		DIMENSION STYLE MM ONLY		SCALE 1:1	DESIGN UNITS METRIC	FIRST ANGLE PROJECTION E492XXXXXXXXXXXX FORM C EN 175301-803 <b>molex</b> SD-121050-002 SHEET NO. 3 OF 4
		mm      INCH 4 PLACES ± --- ± --- 3 PLACES ± --- ± --- 2 PLACES ± --- ± --- 1 PLACE ± --- ± --- 0 PLACE ± --- ± ---		DRAWN BY      DATE JMARSZALEK    2012/10/30 CHECKED BY      DATE MSZWAJKOWSKI 2012/10/31 APPROVED BY      DATE MIWASIECZKO 2012/11/09		TITLE		
		ANGULAR ± --- °		MATERIAL NO.		DOCUMENT NO.		
		DRAFT WHERE APPLICABLE MUST REMAIN WITHIN DIMENSIONS		SIZE A3		THIS DRAWING CONTAINS INFORMATION THAT IS PROPRIETARY TO MOLEX INCORPORATED AND SHOULD NOT BE USED WITHOUT WRITTEN PERMISSION		

