

Standard I/O, 19 Position

XX-9157



Based on our standard 15 way 9157 I/O family, AVX has now released a family 19 way devices. This range includes a SMT 90 degree plug, a wire socket version that is used with the standard 9157 cover and a SMT socket for charging applications.

Options with the 90 degree SMT socket include the sealing of the connector contacts and the connector to the housing up to IP67. There is also an option to have an EMLB (early mate, late break) on pins 1 and 19.

To achieve the seal to the device housing, it may be necessary to customize the device housing design.

On the SMT 90 degree version, we also have the capability of an integrated DC jack, enabling both the DC jack and the 19 way cover to be plugged in at the same time.

APPLICATIONS

- Mobile Phones
- PDA
- Medical
- Docking/Charging for any portable device

FEATURES AND BENEFITS

- Patented 20° angled face on the socket gives self-cleaning face when mated with plug.
- Metal Latching area integral to socket which saves PCB real estate.
- Integral to socket is a mechanical 50Ω switching coax for SMT termination.
- Single sprung plug contact design gives ten thousand mating cycles and cleaning/wiping action.
- Customer has option to terminate own RF coax using AVX custom tooling: 06-9157-7116-01-000.
- SMT plug has unique location pyramids that give positive alignment to portable device, and assist blind mating.
- RoHS Compliant.

ELECTRICAL

- Current Rating: 1.5 Amps / Contact
- Voltage Rating: 125 VAC

ENVIRONMENTAL

- Operating Temperature: -55°C to +125°C

MECHANICAL

- Insulator Material: Glass-Filled Nylon 46; UL94 V-O
- Contact Material: Beryllium Copper (plug)
Phosphor Bronze (Socket)
- Plating: Gold over Nickel
- Durability: 10,000 Cycles

AVAILABLE DEVICES:

10 9157 019 000 006

10 9157 019 000 007

20 9157 019 000 006

30 9157 97 XX 00 000

Plug wire version

SMT charging version

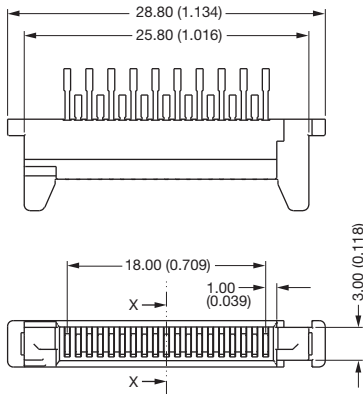
90 degree SMT socket

Cover options

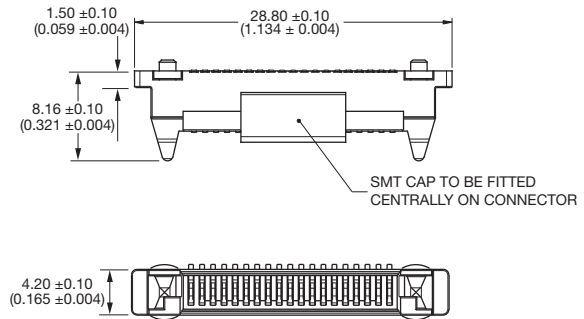
Standard I/O, 19 Position

XX-9157

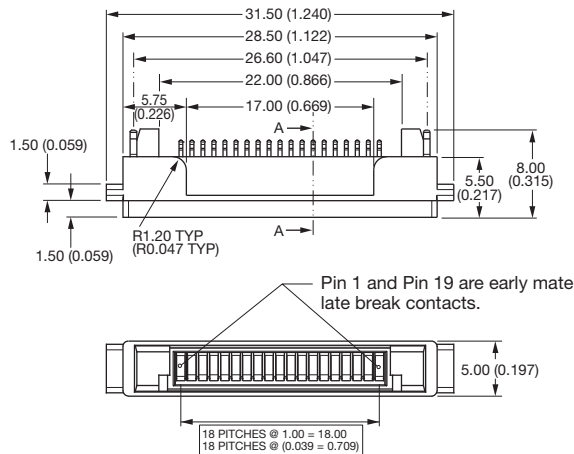
Plug Wire



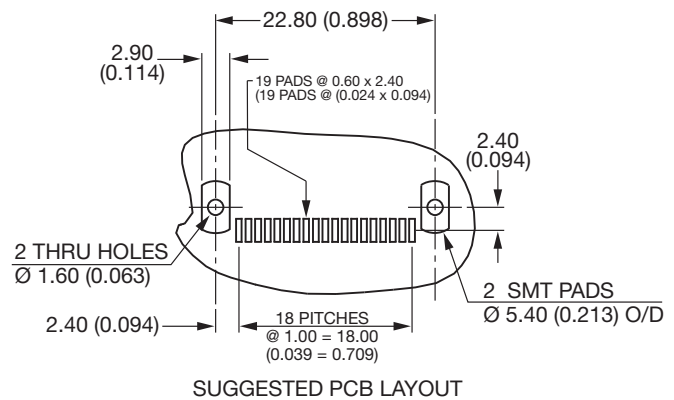
SMT Plug



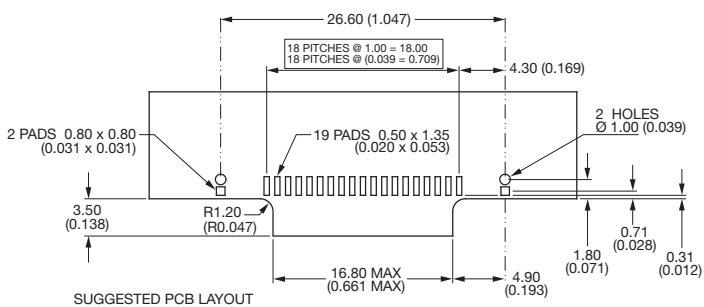
SMT Socket



SMT Plug (Suggested PCB Layout)



SMT Socket (Suggested PCB Layout)



Standard I/O, 19 Position

XX-9157

Cover Kit

